



**Electrolux**  
PROFESSIONAL

## Premium Preparation Sink unit with 3 bowls 1600mm

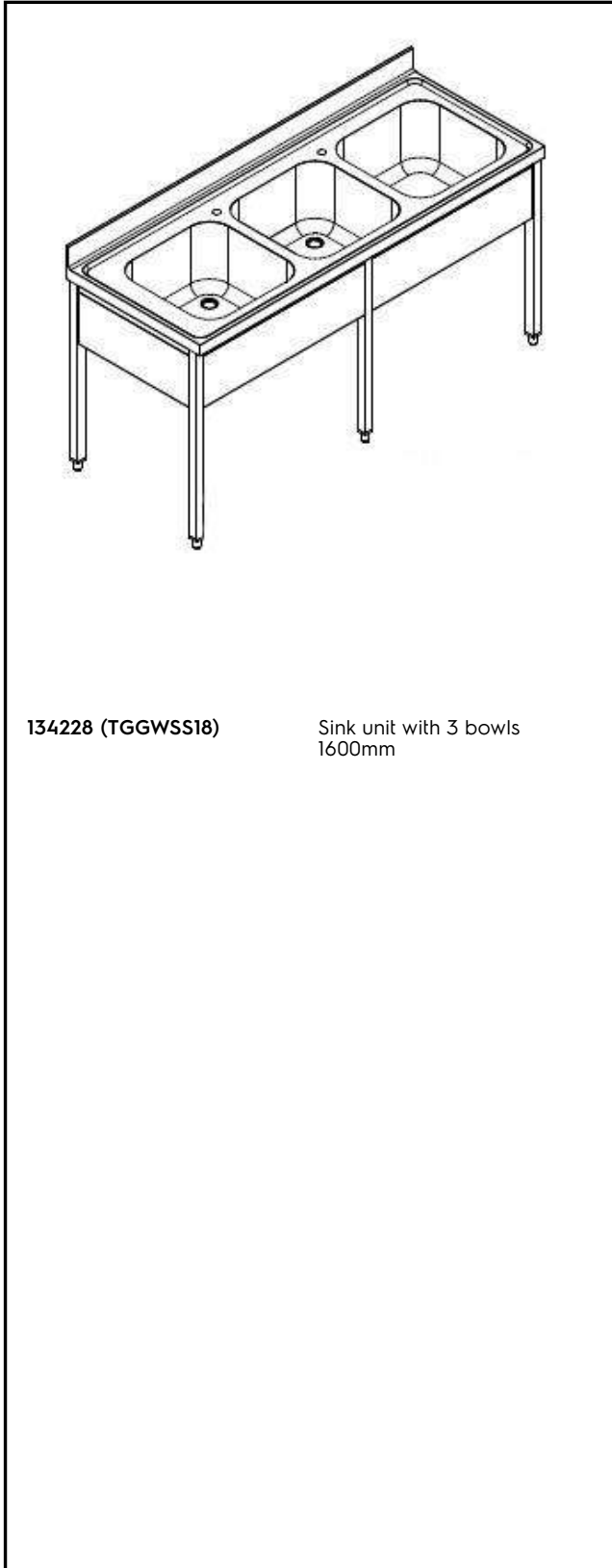
ITEM # \_\_\_\_\_

MODEL # \_\_\_\_\_

NAME # \_\_\_\_\_

SIS # \_\_\_\_\_

AIA # \_\_\_\_\_



### Main Features

- Product range suitable for international tenders requirements for intense usage installations.

### Construction

- Constructed entirely in 304 AISI stainless steel.
- Square section legs (40x40mm, 10/10 in thickness) and height-adjustable feet (-20/+30mm).
- Welded frame and legs.

### Optional Accessories

- Double plastic drain syphon 2" for sinks PNC 850022
- Single plastic drain syphon 2" for sinks PNC 895313

APPROVAL: \_\_\_\_\_



Experience the Excellence  
[www.electroluxprofessional.com](http://www.electroluxprofessional.com)  
[professional@electrolux.com](mailto:professional@electrolux.com)



**Key Information:**

External dimensions, Width:	
<b>134228 (TGGWSS18)</b>	1600 mm
External dimensions, Depth:	700 mm
External dimensions, Height:	850 mm
Upstand Dimensions, Height:	100 mm
Upstand Dimensions, Depth:	13 mm
Upstand Dimensions, Radius:	R=10
Bowls number	3
Bowl dimensions	
Worktop thickness:	50 mm
Net weight:	44 kg